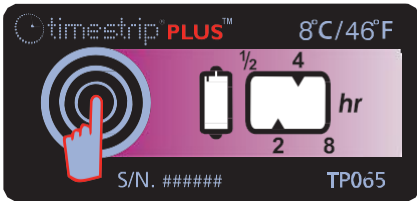


# Product Specification

## Timestrip®PLUS 8°C 8Hours TP-065



### General:

Each Timestrip®PLUS indicator is a small, self-adhesive label that can be attached to a product, package or carrying card\*. It monitors temperature and indicates when a maximum threshold has been breached. It is irreversible and also records the total time duration of one or more breaches.

\* see adhesive specification in Appendix 1 below for further details.

Each product in the range has been engineered for a different maximum threshold temperature so customers can choose the Timestrip®PLUS that best suits their needs.

### How to use:

Timestrip®PLUS indicators are completely inert prior to activation and can be stored at room temperature.

To activate Timestrip®PLUS, the surrounding temperature must be above the stated threshold temperature so that the blue dyed liquid can be released from the button. Fully squeeze the button and check that the first window turns blue and the word 'On' appears. If not, immediately re-squeeze the button fully. Within 2-3 minutes of activation, place the indicator below its STOP temperature for a minimum of 1 Hour so that the liquid freezes and the indicator is fully conditioned and ready to use. If the carrying card or the product to be monitored is already at or below the STOP temperature then the indicator can be stuck directly to it by removing the adhesive liner on the back.

Threshold Temp	Stop temp*	Run-Out window**	Time Marks in Hours
+8°C/+46°F	+6°C/+43°F	8 Hours	1/2, 2, 4 & 8

\* The temp at which the run-time advancement (the movement of the blue dye) will stop.

\*\* The run-out window is calibrated to an isothermal temp of +2°Cdeg above the stated/printed Threshold temp.

### I) Performance Specifications:

- † Temp Accuracy: ± 1°C/2°F
- † Time Accuracy: ± 15 % in time under isothermal conditions
- † Progress Isotherms: See Fig. 1
- † Display: Continuous, irreversible
- † Usage: The usage of the product in any assembly or production line must be agreed upon in advance, as it may alter performance specifications.

### II) Product Specification:

- † Button Position: Button on Top (BOT)
- † Colour of Progressing Front: Blue
- † Adhesive: #2641, Pressure sensitive, -40°C to +110°C, Finger lift – See Appendix 1
- † Product drawing: See Fig. 2
- † Graphics: See Fig. 3
- † Other: Not suitable for immersion in water
- † Remark: Run-time window length will vary slightly between production batches.

### III) Product Construction:

The indicator is constructed of polymeric assembly multi layer and aluminium-plastic laminate. It encapsulates coloured liquid chemicals\*.

\* Maximum weight of colorant is <0.5 mg.

\*\* Liquid chemicals are listed in the Food Chemicals Codex and/or approved by the Food and Drug Administration (FDA) under Title 21, and/or considered generally recognized as safe (GRAS).

\*\*\* All materials are non-toxic, latex and PVC free.



**the smart way to measure time & temperature**

---

IV) Storage Conditions (un-activated):

- ‡ Store in a cool dark environment away from heat sources.
- ‡ Recommended: 22°C/72°F at 20-80% RH.
- ‡ Please note that before activation, the product can tolerate short term exposure. during transit (hours or a few days) to temperatures in the range -30°C to +55°C. However, long term storage should be under recommended conditions.

V) Shelf-life:

- 2 Years – an expiry date is stated on each pack.

Fig 1: Progress Isotherm

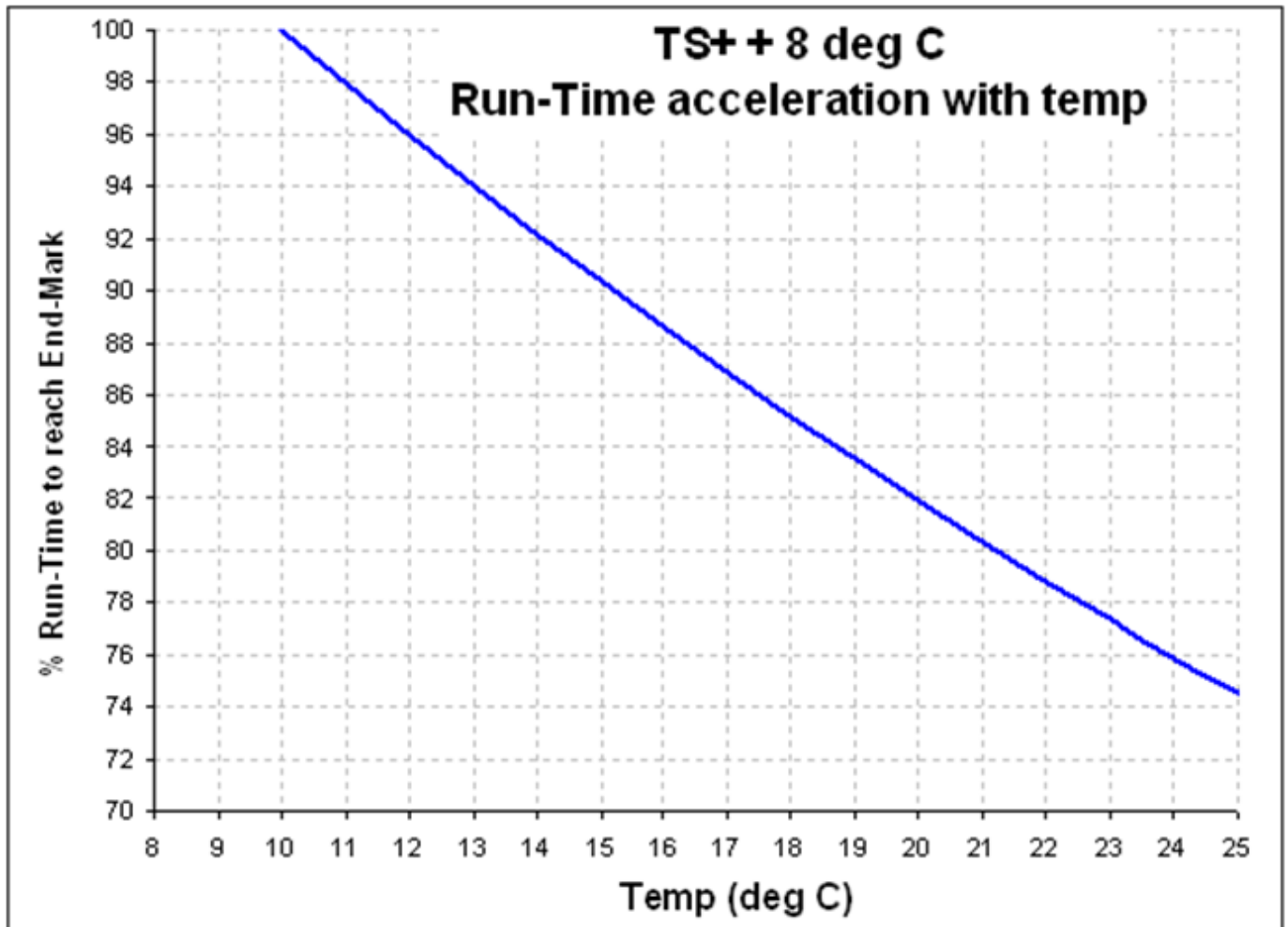


Fig 2: Product Drawing

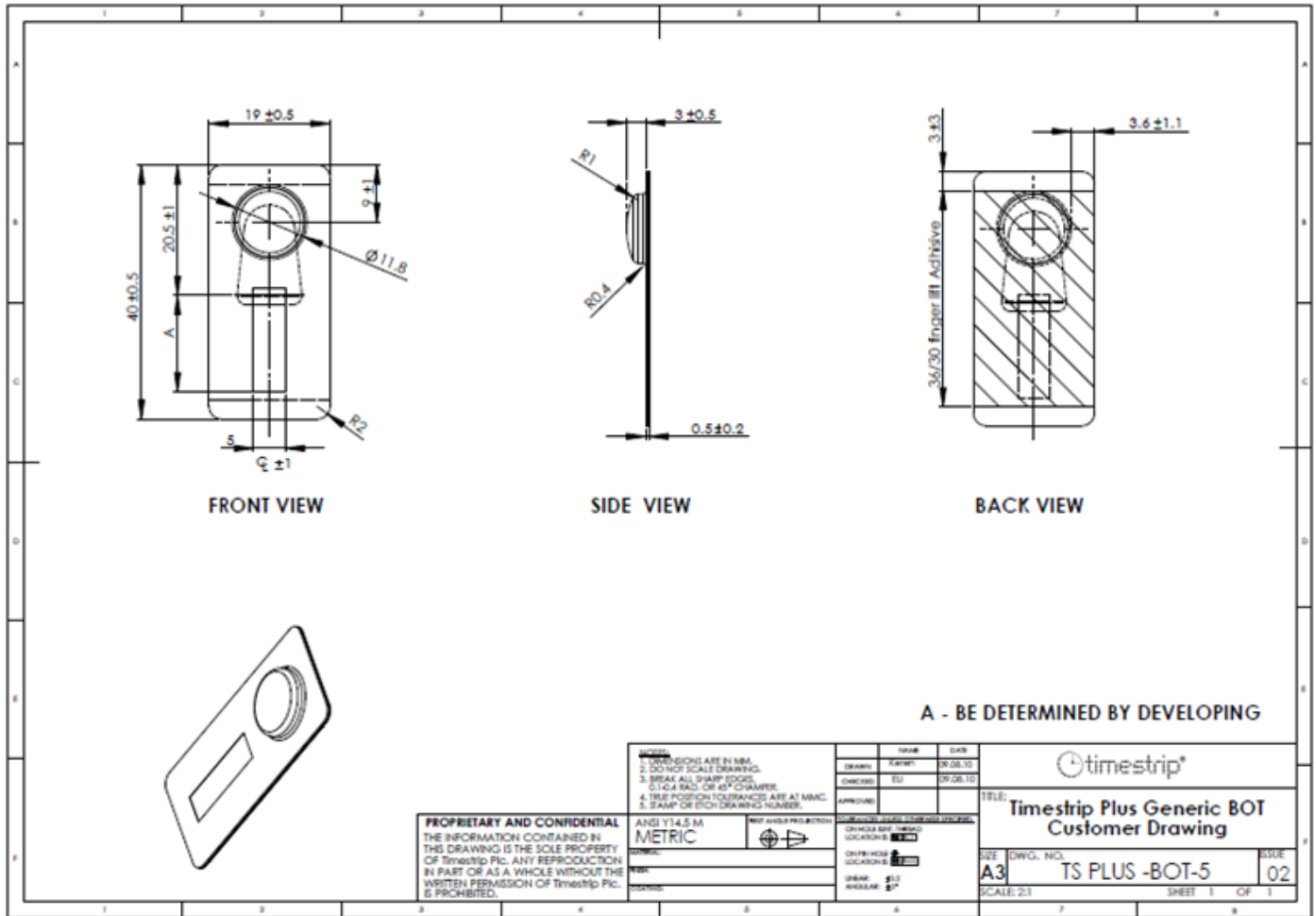
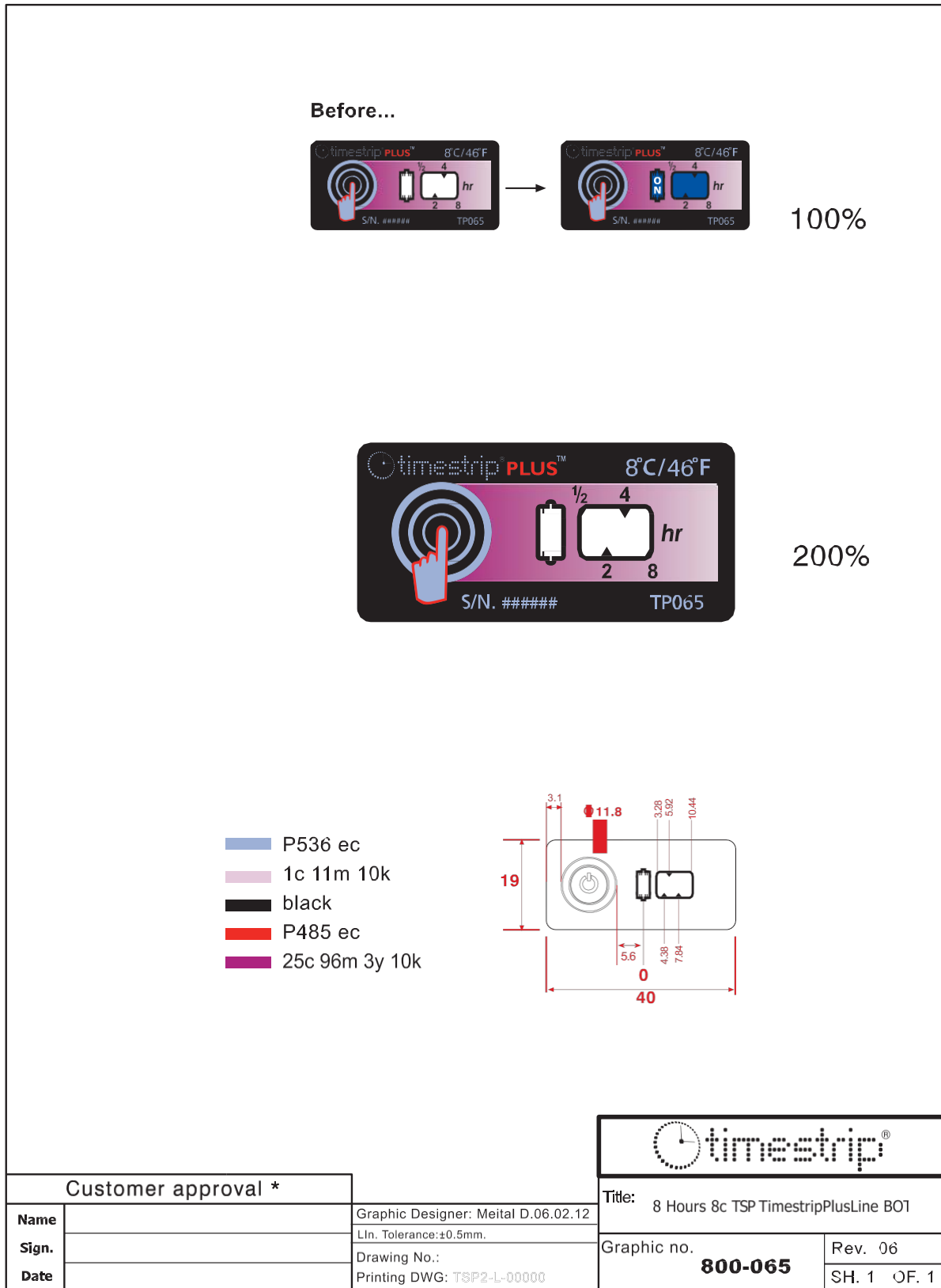


Fig 3: Graphics



Appendix 1

**Pressure Sensitive Adhesive Data**

Timestrip Adhesive - Product # 2641

<u>SUBSTANCE</u>		<u>THICKNESS</u>	
Adhesive	40gsm	Adhesive & Carrier	95 micron
Tissue	12gsm		
Adhesive	45gsm		
Liner	80gsm	Liner	70 micron

**PRODUCT DESCRIPTION**

A permanent tape with a tissue carrier. The adhesive is a modified acrylic, offering good UV light and chemical resistance together with high performance especially to difficult surfaces. The liner is a two side release system.

**APPLICATIONS**

The high tack/adhesion of 2641 makes it especially useful for applications involving the bonding of difficult substrates such as many foams, rubbers and polythene type materials. The product is also useful for various mounting applications.

**ADHESIVE PROPERTIES**

		<u>20 min</u>	<u>24 hour</u>	<u>TEST METHOD</u>
Adhesion to steel	open side	1300 N/M	1400 N/M	BS7116:1990 - D
	closed side	1300 N/M	1400 N/M	BS7116:1990 - D
Shear Adhesion	open side	5 hours		BS7116:1990 - B
	closed side	5 hours		BS7116:1990 - B
Release of liner from adhesive		10 N/M		BS7116:1990 - E

**THERMAL PROPERTIES**

Recommended service temperature range	-40°C to 110°C	-40°F to 230°F
Application temperature range	5°C to 60°C	41°F to 140°F

**SHELF LIFE**

Minimum shelf life when stored in closed cartons away from direct sources of heat and sunlight. **2 Years**

**HEALTH AND SAFETY INFORMATION**

The adhesive conforms to F&DA Regulation 175.105.

**Note**

Values given are average and should not be taken as a maximum or minimum for specification purposes. Specific technical details, applications information and suggested uses available.

**For additional information contact us on:**

 [www.innolabel.eu](http://www.innolabel.eu)
 [info@innolabel.eu](mailto:info@innolabel.eu)
 +32 474 88 10 44

QA-AD1 12/09

Document information

Document Type	Identifying No.	Rev./Issue	Date
Graphics	800-065	06	06.02.12
Product Drawing	TS PLUS-BOT-5	02	09.08.10
Adhesive #2641 Data Sheet	QA-AD1	00	12/2009
Product Specification Sheet	--	01	22.07.14

visit : [www.innolabel.eu](http://www.innolabel.eu)